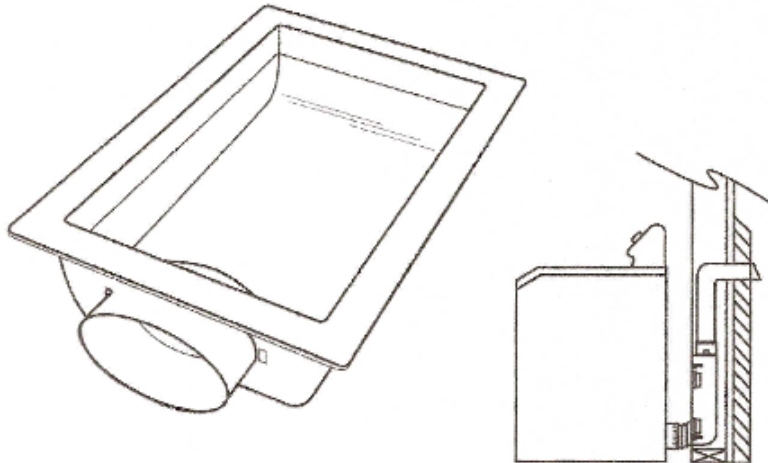
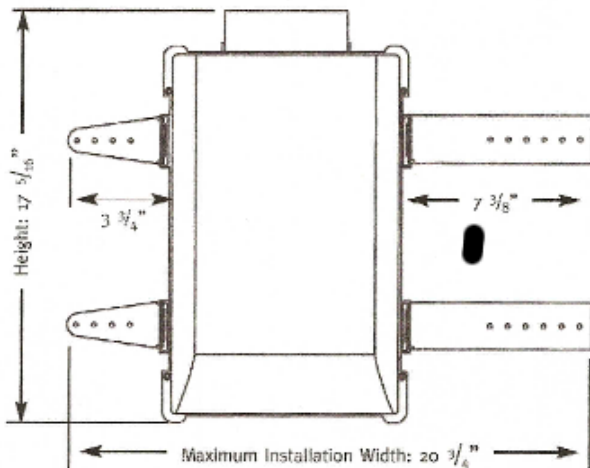


Technical Product Specifications

Dryer Venting Box



**Overall Dimensions
without Finish
Trim Plate**



Model No.	Description
EZFlow1001	Dryer Venting Box

Performance Data

for dryer venting box

Material

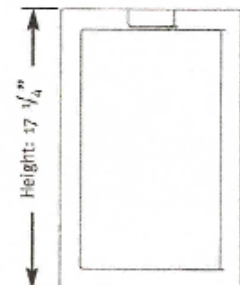
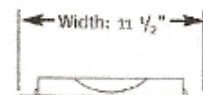
- white high-impact polystyrene

Meets Standard 94HB Tests for Flammability

General Information

- saves space
 - recessed design for placement behind drywall
 - allows dryer to sit 4-6" closer to wall
- improves dryer efficiency
 - ensures a direct path between dryer and vent resulting in better air flow, reduced energy bills
- reduces fire hazard
 - no more kinks that result in lint build-up which can lead to fires
- ensures clean appearance
 - eliminates exposed drywall cuts
- installs easily
 - regardless of distance between studs, the mounting straps may be adjusted to ensure a stable, permanent installation
 - mounts in up or down position

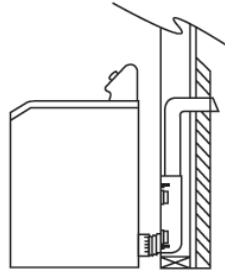
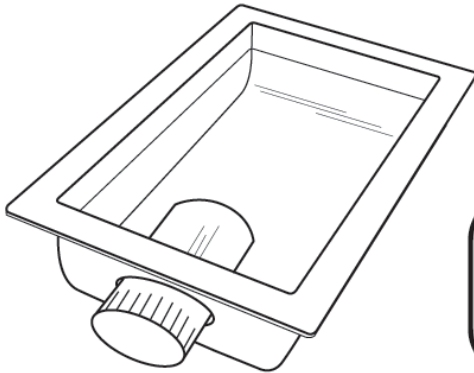
Dimensions of Finish Trim Plate





Technical Product Specifications

Dryer Venting Box with Aluminum Connector



IMPORTANT
 Aluminum duct connector meets code for fire resistant installation.
 Plastic dryer venting box meets standard 94 HB tests for flammability.

Model No.	Description
EZFlow1002	Dryer Venting Box with Aluminum Connector

Performance Data

Materials
 for plastic dryer venting box

- high impact polystyrene
- meets Standard 94 HB tests for flammability

for aluminum duct connector

- Aluminum 3000 series

General Information

- saves space
 - recessed design for placement behind drywall
 - allows dryer to sit 4-6" closer to wall
- improves dryer efficiency
 - ensures a direct path between dryer and vent resulting in better air flow, reduced energy bills
- reduces fire hazard
 - no more kinks that result in lint build-up which can lead to fires
- ensures clean appearance
 - eliminates exposed drywall cuts
- installs easily
 - regardless of distance between studs, the mounting straps may be adjusted to ensure a stable, permanent installation

